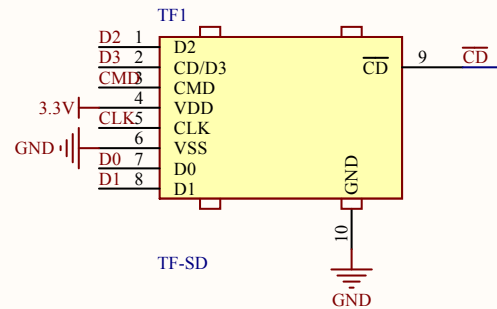


10脚是检测卡是否插入，11脚是卡写保护的检测



Title		
Size	Number	Revision
A		
Date:	2013/12/27	Sheet of
File:	\\.\SD Board.SchDoc	Drawn By: