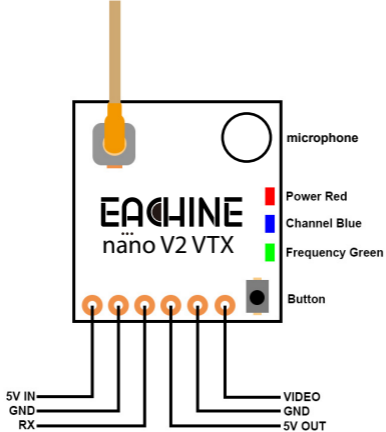


Eachine NANO V2 VTX

Eachine NANO V2 VTX is simulated 5.8G ISM band transmission with stable output power, Support microphone, long transmission distance and strong power filter. It can ensure that the image has no snowflake, no stripes under the maximum throttle situation. Meanwhile, Eachine NANO VTX has remote frequency point control of remote control OSD interface, does not interfere with fellows when powered on, and support 8 people above flying at the same time super function.

Specification and Parameters

- Item Name: Eachine NANO V2 VTX
- Output Power: PIT/25mW/100mW/200mW/400mW Switchable
- Control Mode: BFOSD Control(RX)/Button
- BAT: 5V
- Video System: NTSC/PAL
- Antenna: IPEX
- Size: 14MM*15MM*4MM
- Weight: 1.4g



Please do not remove heat sink!

Precautions for use

- Make sure output terminal is installed antenna before it is powered.
- Input voltage must be within the specified range 5V
- Please choose antenna with good VSWR and DB if you replace, to get far transmission distance.
- Pay attention to static electricity protection during transportation and installation.

Frequency and power control methods

1.Button frequency control: Short press once to change channel number CH (CH1-CH8) long press for 2 seconds and then short press to change bands。

2.Button power control: Long press button for 6 seconds and then short press button to select power
PIT/25mw/100mw/200mw/ 400mw。

Frequency Table(Mhz)								
CH	CH1	CH2	CH3	CH4	CH5	CH6	CH7	CH8
FR	○○○	○○●	○●○	○●●	●○○	●○●	●●○	●●●
A(○○●)	5865	5845	5825	5805	5785	5765	5745	5725
b(○●○)	5733	5752	5771	5790	5809	5828	5847	5866
E(○●●)	5705	5685	5665	5645	5885	5905	5925	5945
F(●○○)	5740	5760	5780	5800	5820	5840	5860	5880
r(●○●)	5658	5695	5732	5769	5806	5843	5880	5917
L(●●○)	5362	5399	5436	5473	5510	5547	5584	5621

EACHINE

Eachine NANO V2 VTX 5.8G ISM band simulation VTX



Product Instruction
Manual