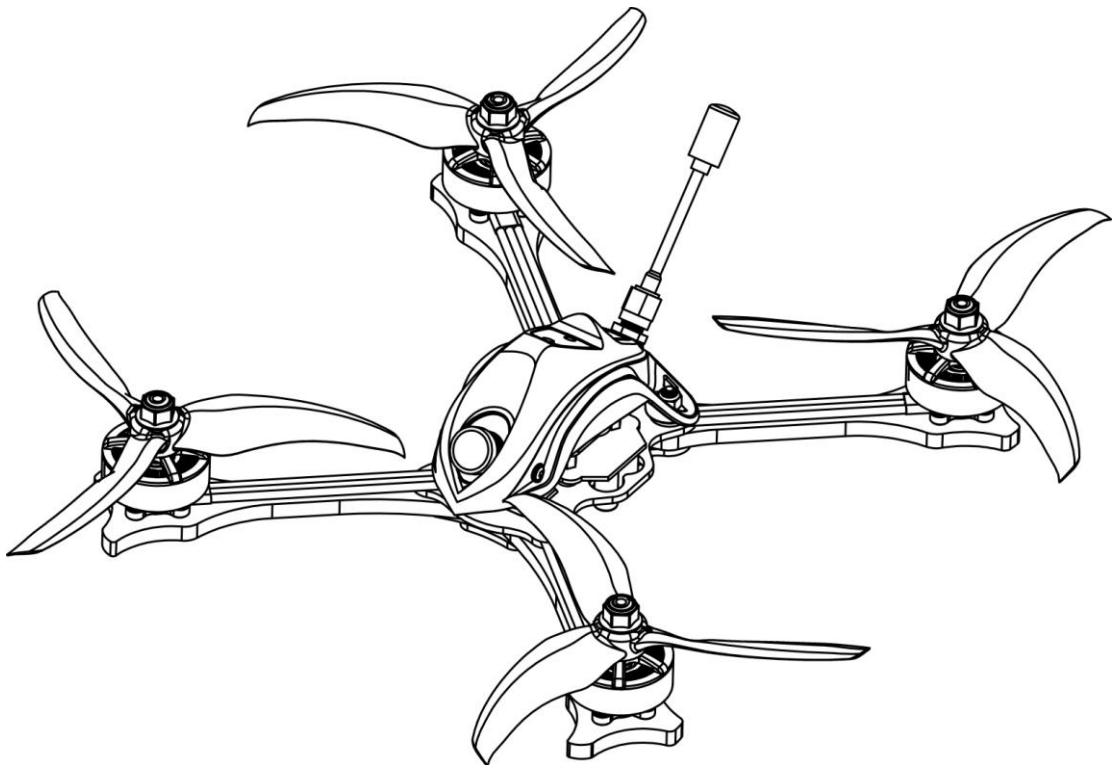




## Hawk 5 Sport



**Thanks for purchasing the Hawk 5 Sport. Designed in California,  
assembled in China.**

## Disclaimer

Please read the disclaimer carefully before using this product. By using this product, you hereby agree to this disclaimer and signify that you have read them carefully and completely. This product is not suitable for people under the age of 18. Adult supervision is highly recommended for kids under the age of 18.

Our Hawk 5 Sport features open-source flight controller and Electronic Speed Controllers to meet the FPV enthusiasts' need to upgrade their quad.

Please read the instruction manual and warnings carefully. Before every flight, make sure the battery is fully charged and power connections are secure. DO NOT fly around crowds, children, animals or objects. EMAX ACCEPTS NO LIABILITY FOR DAMAGE(S) OR INJURIES INCURRED DIRECTLY OR INDIRECTLY FROM THE USE OF THIS PRODUCT.

## Precautions

Please follow the instructions to assemble and to operate this product in a proper way.

Pilots do not use this product if you have physical or mental illness, dizziness, fatigued, or use while under the influence of alcohol or drugs.

Please fly in a safe area away from people

Do not modify or use other parts and accessories not approved for the use of EMAX.

Do not use this product in harsh environments (such as winds, rain, lightning, snow, etc.).

Do not use this product in a strong electromagnetic environment.

## Support

Please visit [emax-usa.com](http://emax-usa.com) or [emaxmodel.com](http://emaxmodel.com) for any updates or support needs.

# Table of Contents

Hawk 5 Sport.....	0
Disclaimer .....	1
Precautions .....	1
Support .....	1
Product specification .....	1
Product list.....	1
Hawk 5 Sport.....	2
Propeller Direction and Mounting.....	2
Hawk 5 Sport VTX Settings .....	3
VTX Channel Settings with the Button .....	3
CE and FCC unlicensed user chart.....	4
Unlocked FCC HAM licensed user chart.....	4
Changing VTX setting via Betaflight OSD .....	4
Hawk 5 Sport Electronic Stack .....	6
Emax Tiny Receiver.....	6
Binding Procedure.....	6
Emax Hawk 5 Sport Flight Controller (FC) .....	7
Stock Flight Controller Settings .....	7
Adjusting Software Settings (Betaflight Configurator) .....	7
Reprogramming Hawk 5 Sport Flight Controller .....	7
Set the Correct Settings .....	8

# Product specification

<b>Hawk 5 Sport</b>	<b>Parameter</b>
Diagonal wheelbase (without propellers)	210MM
Aircraft weight (without battery)	265g
Motor	ECO2207 1700KV/2400KV
Propeller	AVAN 5*3.0*3/AVAN5*2.8*3
Electronics	F4 (MATEKF405 firmware) 4 in one 3-6s 35A 32 bit ESC EMAX Tiny Receiver
FPV Camera	CADDX Turbo Micro F2
Transmitter	25-200mW Adjustable frequency 37CH

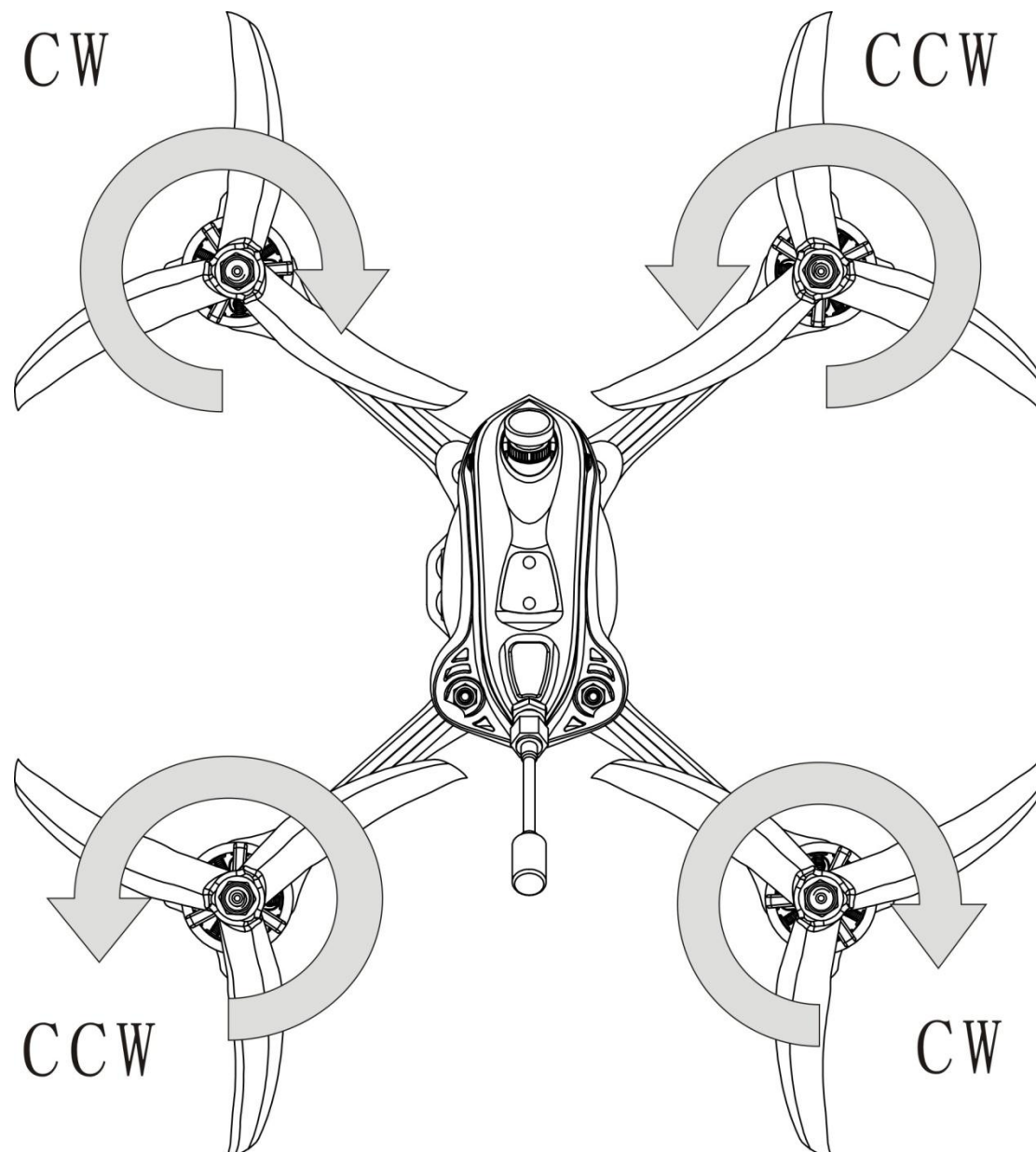
## Product list

1. Hawk 5 Sport x 1
2. Instruction manual x 1
3. AVAN 5\*3.0\*3(3x CW, 3x CCW)
4. AVAN5\*2.8\*3 (3x CW, 3x CCW)
5. Extra Hardware Set x 1

# Hawk 5 Sport

## Propeller Direction and Mounting

There are 2 spinning directions for Hawk 5 Sport propellers, Clockwise (CW) and Counter-Clockwise (CCW). When Buying a set of propellers, 2 CW and 2 CCW will be given. The blunt leading edge indicates the direction the propeller is suppose to rotate as compared to the sharp trailing edge. When mounting propellers please make sure the correct orientation shown in the diagram below.

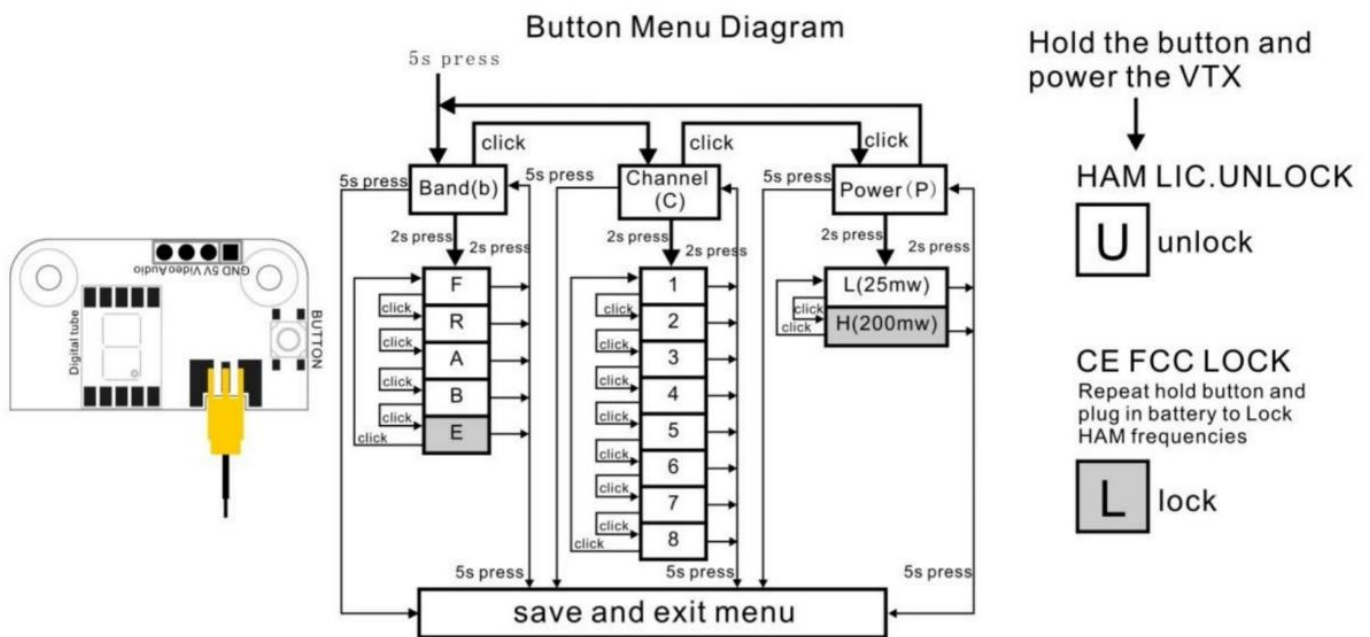


**Caution:** Failure to mount the propellers in the correct orientation will cause Hawk 5 Sport to not fly correctly and with no control. Please double check for the correct orientation.

1. Place the propeller onto the M5 shaft of the motor
2. Tighten the M5 nut tightly onto the propeller

# Hawk 5 Sport VTX Settings

Vtx Schematic and Button Diagram



## VTX Channel Settings with the Button

### 1. Normal display

The display will cycle between showing band and channel. If the red dot is on in the lower right corner, that means the vtx is in high power mode (200 mW). Otherwise it is in low power mode (25 mW).

### 2. Menu Entry / Exit

(1) Press the button and hold for 5s to enter the top level menu.

(2) Press the button and hold for 5s again to save changed parameters.

### 3. Band, Channel, and Power parameter change

(1) Once entered top level menu, press the button to cycle through the 3 menu options: band "b", channel "c", and power "p".

(2) Press the button for 2s for one of the 3 top level menu selections to enter sub menu.

(3) Once in the sub menu, press the button to cycle through the options.

(4) Set the selected option by holding the button again for 2s and will exit to top menu

(5) Continue cycling through other parameters if desired and press the button for 5s to save and exit.

**Notice:** If you change to an illegal channel using SmartAudio, there will be no image transmitting from Hawk 5 Sport. To switch back to a legal channel, press the button on the vtx and follow the vtx menu guide shown below.

## CE and FCC unlicensed user chart

FR \ CH	CH1	CH2	CH3	CH4	CH5	CH6	CH7	CH8	
A	5865	5845	5825	5805	5785	5765	5745	—	MHz
B	5733	5752	5771	5790	5809	5828	5847	5866	MHz
E	—	—	—	—	—	—	—	—	MHz
F	5740	5760	5780	5800	5820	5840	5860	—	MHz
R	—	—	—	5769	5806	5843	—	—	MHz

## Unlocked FCC HAM licensed user chart

FR \ CH	CH1	CH2	CH3	CH4	CH5	CH6	CH7	CH8	
A	5865	5845	5825	5805	5785	5765	5745	5725	MHz
B	5733	5752	5771	5790	5809	5828	5847	5866	MHz
E	5705	5685	5665	—	5885	5905	—	—	MHz
F	5740	5760	5780	5800	5820	5840	5860	5880	MHz
R	5658	5695	5732	5769	5806	5843	5880	5917	MHz

\* From the factory this video transmitter is designed to operate within CE and FCC unlicensed users specifications. To use the unlocked features of this VTX the user is required to have a HAM radio license or prior consent from the FCC. By purchasing this equipment, the user is agreeing that they understand these responsibilities and will operate the equipment legally. Emax cannot be held responsible for your actions if you purchase and/or use this product in violation of your government's regulations.

## Changing VTX setting via Betaflight OSD

Hawk 5 Sport is equipped with SmartAudio and is already configured with stock settings. The SmartAudio line is operated on UART 6 TX.

1. Power on Hawk 5 Sport, goggles, and controller.
2. Follow the tips on screen to enter the main settings menu: THROTTLE MID+ YAW LEFT+ PITCH UP to enter OSD parameter adjustment menu. as shown in Figure 2.
3. In the menu interface, switching PITCH up/down to choose menu option. Move the cursor to "FEATURES" and stir Roll stick right to enter next menu. Using PITCH stick to move cursor to "VTX SA", as shown in Figure 3. Then pull ROLL stick right to enter VTX configuration menu, as shown in Figure 4.



Figure 1



Figure 1



Figure 3

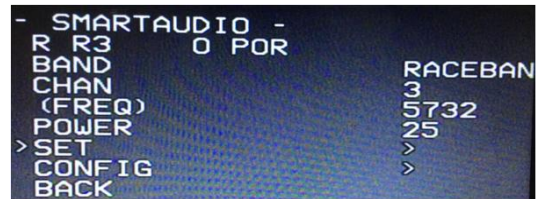


Figure 5

4. In the menu of VTX SA, we can configure the BAND, CHAN and POWER. Pulling the PITCH stick to move cursor up and down to choose VTX options that need setting. While pulling ROLL stick left and right to change the corresponding parameters. Once the parameters is set, moving the cursor to "SET", then turn ROLL stick right to enter "SET" and choose "YES" and turn ROLL stick right to save setting parameters, as shown in Figure 5.

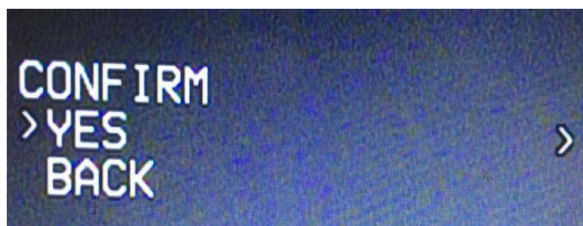
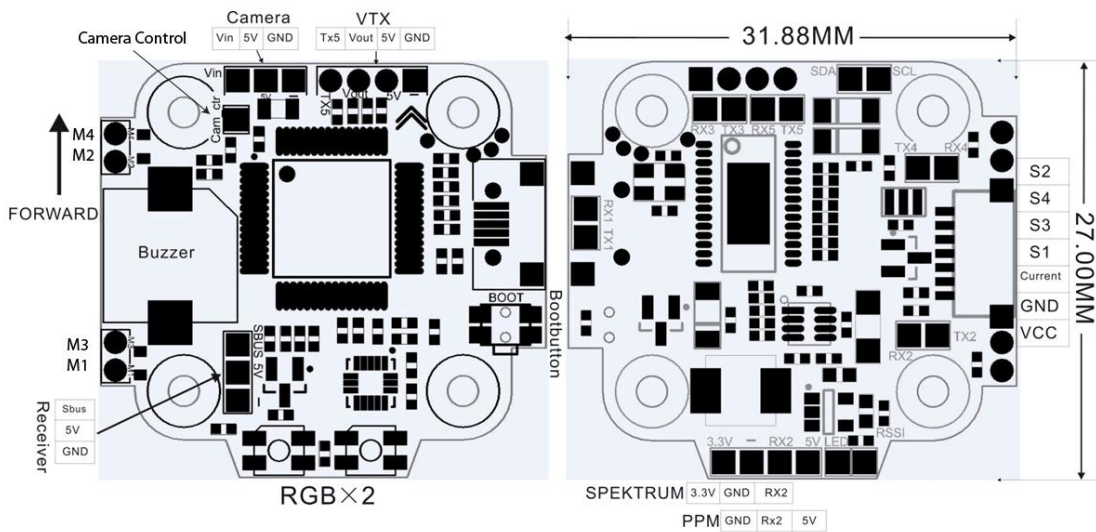


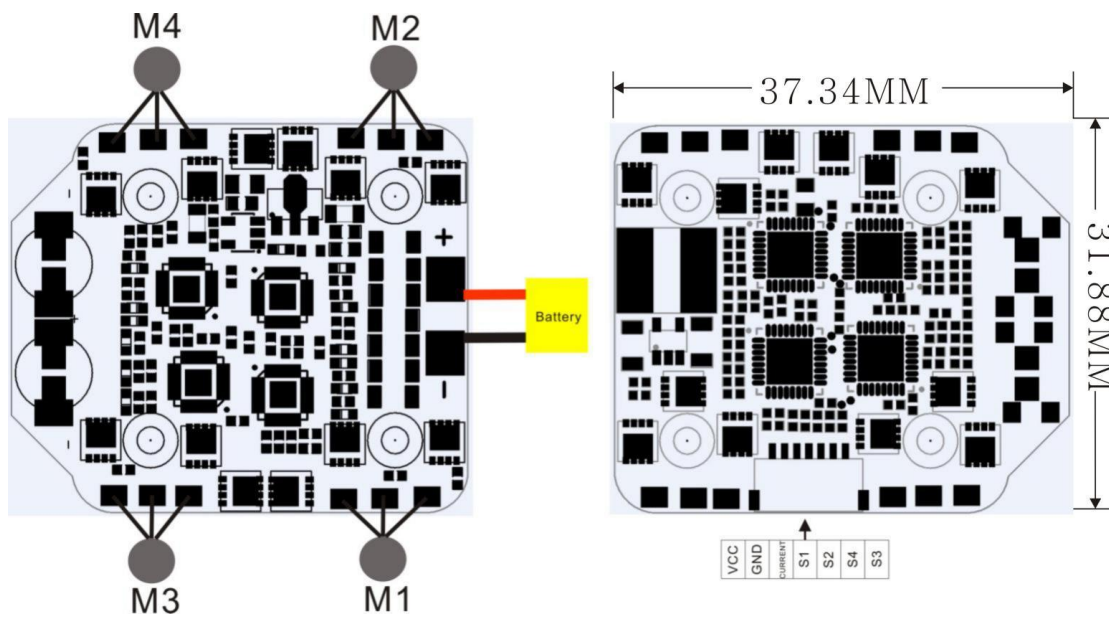
Figure 6



# Hawk 5 Sport Electronic Stack



Flight Controller



ESC

## Emax Tiny Receiver

Number of Channels: Up to 8CH using SBUS

Compatibility: FrSky D8 mode

### Binding Procedure

Binding is the process of uniquely associating a receiver to a transmitter module. A transmitter module can be bound to multiple receivers (not to be used simultaneously). A receiver can only be bound to one transmitter module.

1. Hold the bind button while powering on the receiver. When the GREEN LED is on, it means the receiver is in BIND MODE
2. Turn on the transmitter, make sure it is set to D8 mode, and then set it into bind status. When the RED LED of the receiver starts flashing, it means bind successful.
3. Turn on the transmitter again, the GREEN LED receiver will be on, it means the receiver is receiving data from transmitter. Transmitter bind with receiver no need repetitive operation, unless you change either receiver or transmitter.

## **Emax Hawk 5 Sport Flight Controller (FC)**

This flight controller has a F4 MCU with a MPU6000 gyro. Hawk 5 Sport flight controller comes pre-programmed and properly tuned for optimal flight. The flight controller is programmed with Betaflight 4xxx. For a full tune and configuration setting file (CLI dump file) please visit <https://emax-usa.com/> for the CLI dump file.

### **Stock Flight Controller Settings**

Hawk 5 Sport is configured to take a channel map of the TAER1234 convention. That is the channel map is in the respective order: throttle, aileron, elevator, rudder, AUX 1, AUX 2, AUX 3, and AUX 4. The arm switch on Hawk 5 Sport is set on AUX 1 and armed with the highest value. AUX 3 is configured for the beeper in a high state. AUX 4 is set to Flip Over After Crash mode (often referred to as turtle mode). Turtle mode is set when AUX 4 is in a high state. Please configure your radio as described above or change these settings in Betaflight Configurator.

### **PID Profiles:**

PID profile 1 is tuned and optimized for Hawk 5 Sport with the provided Emax 4s 850 mAh battery for ultimate control.

Please do not change these values.

### **Rate Profiles:**

Profile 1 is set to our determined rates

### **Adjusting Software Settings (Betaflight Configurator)**

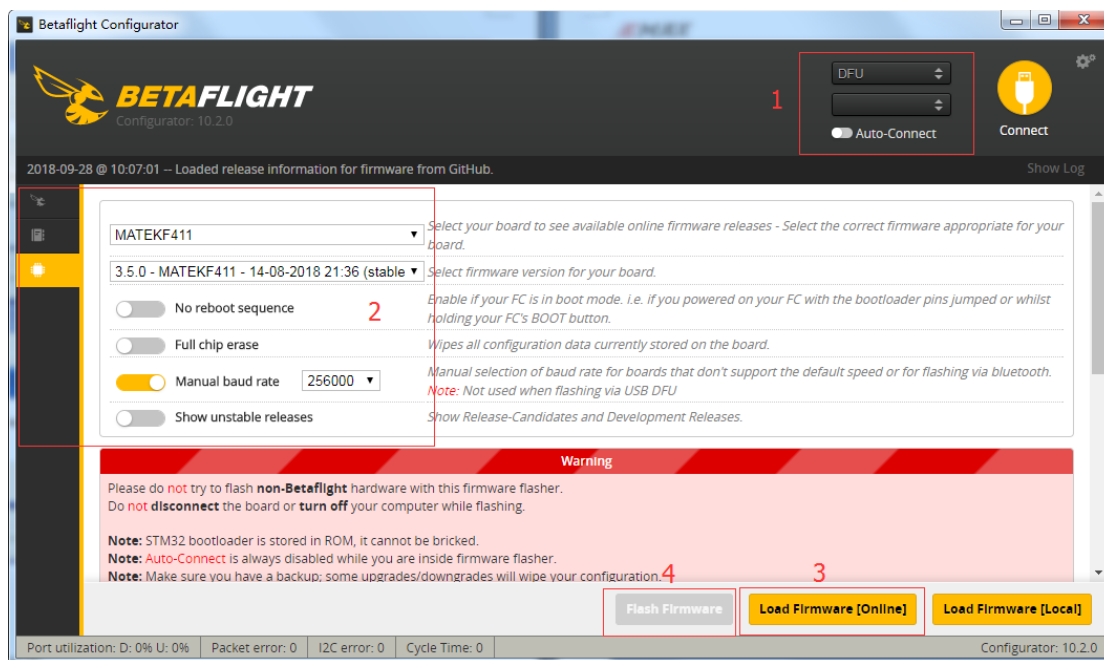
Betaflight Configurator can be used to change programmed settings on Hawk 5 Sport and to flash new firmware if desired. Betaflight Configurator and flight controller firmware can be downloaded at <https://github.com/betaflight/>. The hardware target for Hawk 5 Sport Flight Controller is MatekF411RX.

**DISCLAIMER:** We do not suggest changing any PID settings on Hawk 5 Sport or upgrading the firmware to new versions. Hawk 5 Sport comes stock with an optimal tune for superior flight performance. Changing this can affect flight time, overall speed, control of the aircraft, and excessive heat within the motors.

### **Reprogramming Hawk 5 Sport Flight Controller**

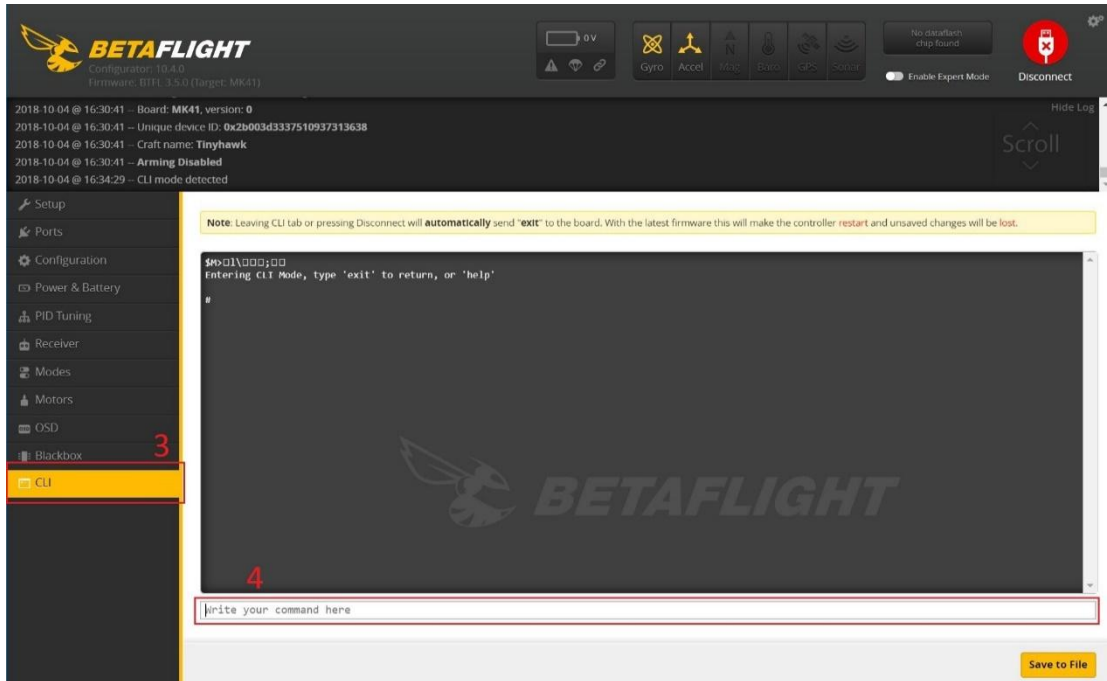
1. Put the Flight Controller in DFU mode by pressing the BOOT button while plugging in the micro USB cable to a computer.
2. Select MATEKF405 as the target and then select the firmware or download the hex file from <https://emax-usa.com/>. Select Manual Baud Rate with 256000 in the drop down menu

3. Select Load Firmware(Online) to download the firmware or Load Firmware (Local) if already downloaded the hex file.
4. Select Flash Firmware to program the flight controller



### Set the Correct Settings

1. Download the latest CLI Dump File from <https://emax-usa.com/>
2. Connect Hawk 5 Sport to Betaflight configurator and select the CLI tab
3. Open the CLI Dump File in a text editor and copy all the text.
4. Paste the settings into the command bar and press enter



5. Hawk 5 Sport will reconnect to Betaflight when completed